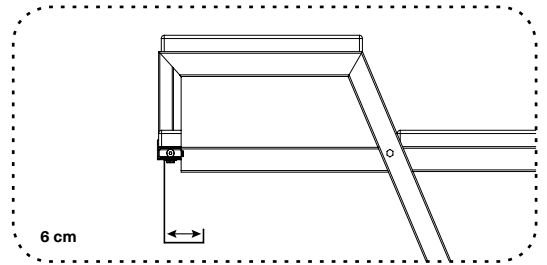
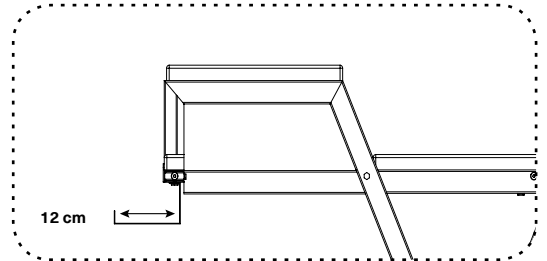
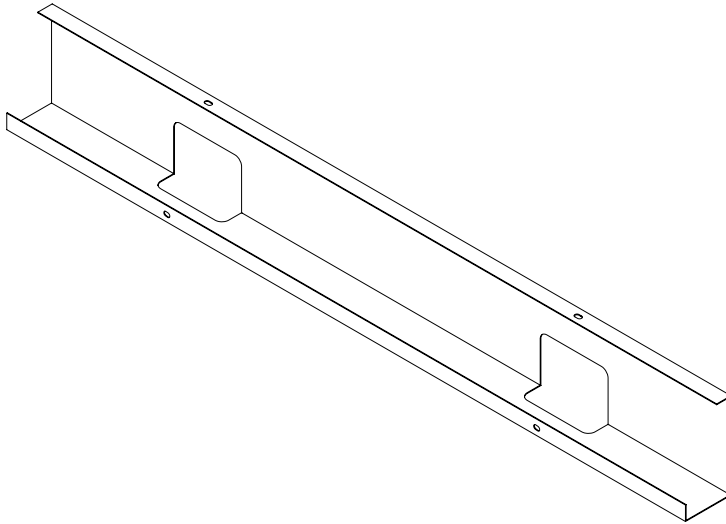


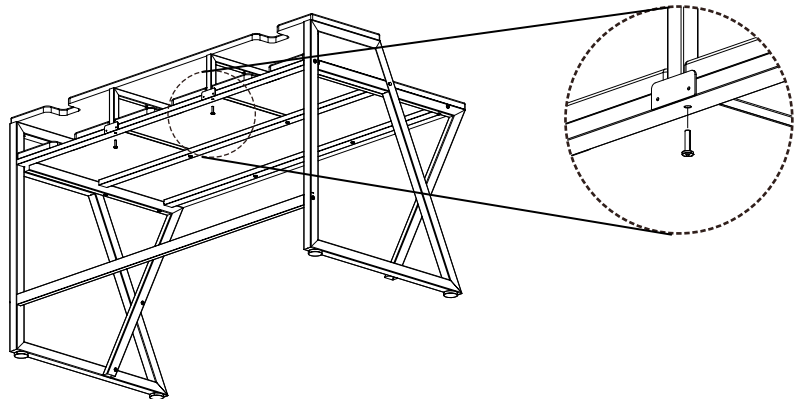
Please follow the instruction for desk installation

Could be attached in 2 different width options and 2 different directions



## STEP 1

Detach 2 screws from the last desktop beam of Headquarter™.



## STEP 2

Attach the Cable Management Tray with the same screws to the same holes.

