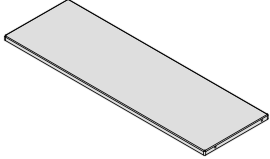
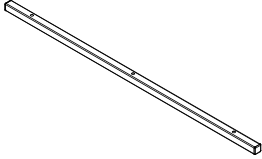
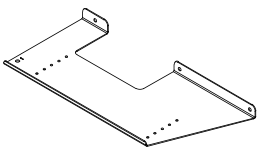
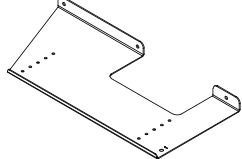
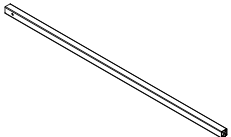
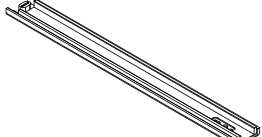
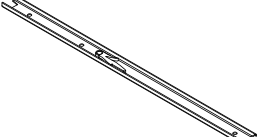
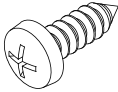
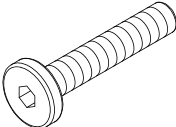
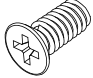
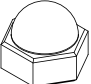
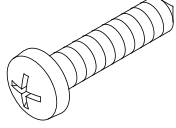
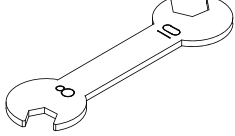




wavebone

For Your Long Way to The Top

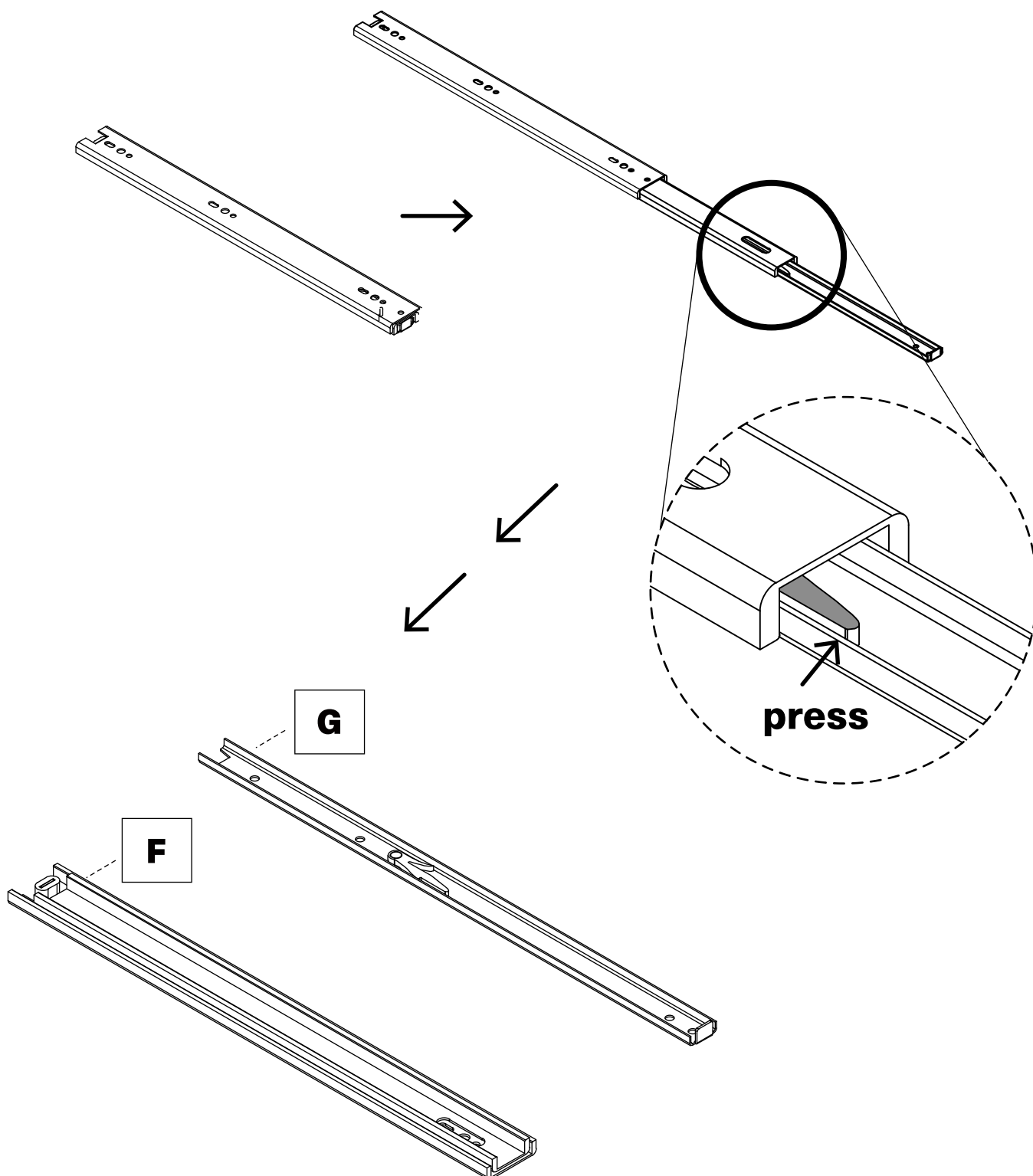
<p>A</p>  <p>x1</p>	<p>B</p>  <p>x1</p>	<p>C</p>  <p>x1</p>	<p>D</p>  <p>x1</p>
<p>E</p>  <p>x1</p>	<p>F</p>  <p>x2</p>	<p>G</p>  <p>x2</p>	

<p>1 M5x16</p>  <p>x6</p>	<p>2 M6x32</p>  <p>x5</p>	<p>3 $\frac{5}{32}$"x9.5</p>  <p>x4</p>
<p>4</p>  <p>x4</p>	<p>5 M4x20</p>  <p>x4</p>	

STEP 1

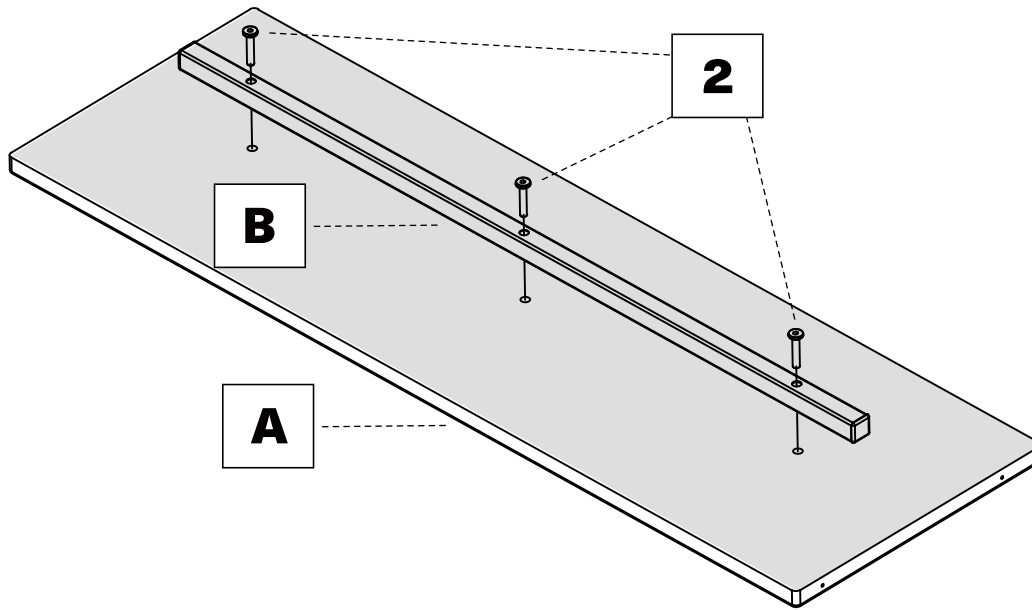
Pull out the slide rail and press the plastic tab

You will get **G** and **F** when you pull out the inner slide rail.



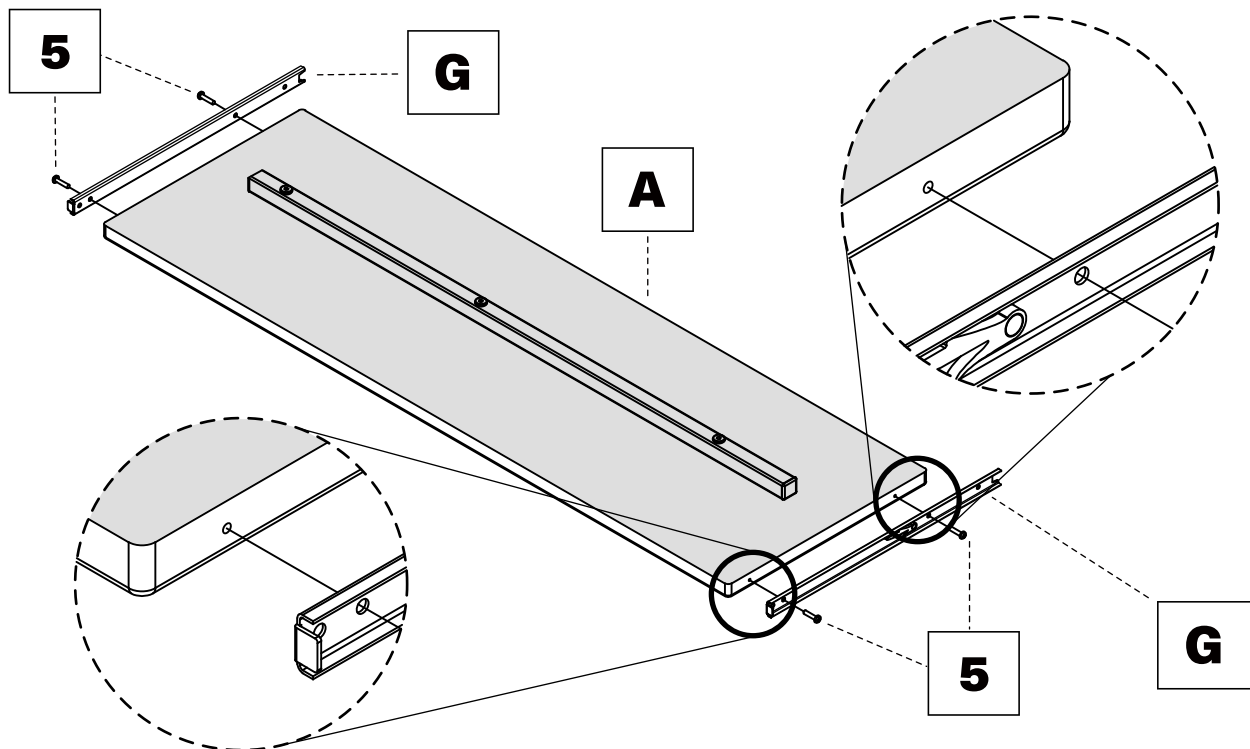
STEP 2

Assemble the metal bar **B** to board **A**
according to the instruction below



STEP 3

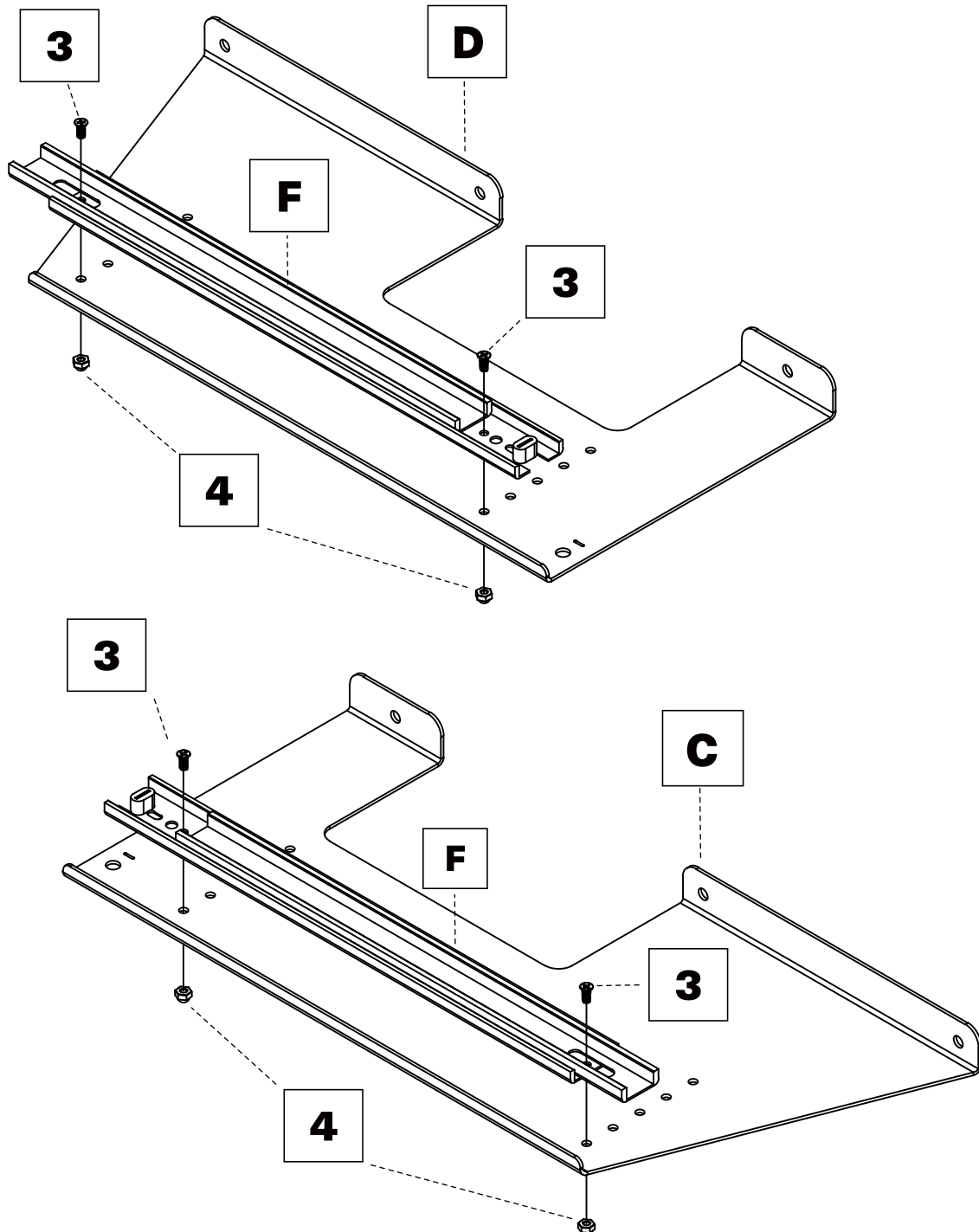
Assemble the slide rail **G** to board **A**
according to the instruction below



STEP 4

Choose a suitable height and lock the slide rail

F on plates **C** and **D**



STEP 5

The look from the bottom

Lock plates **C** and **D** underneath the main desk first

Then Lock metal bar **E** between **C** and **D** plates

After that, assemble the assembled board **A** to the slide rail

