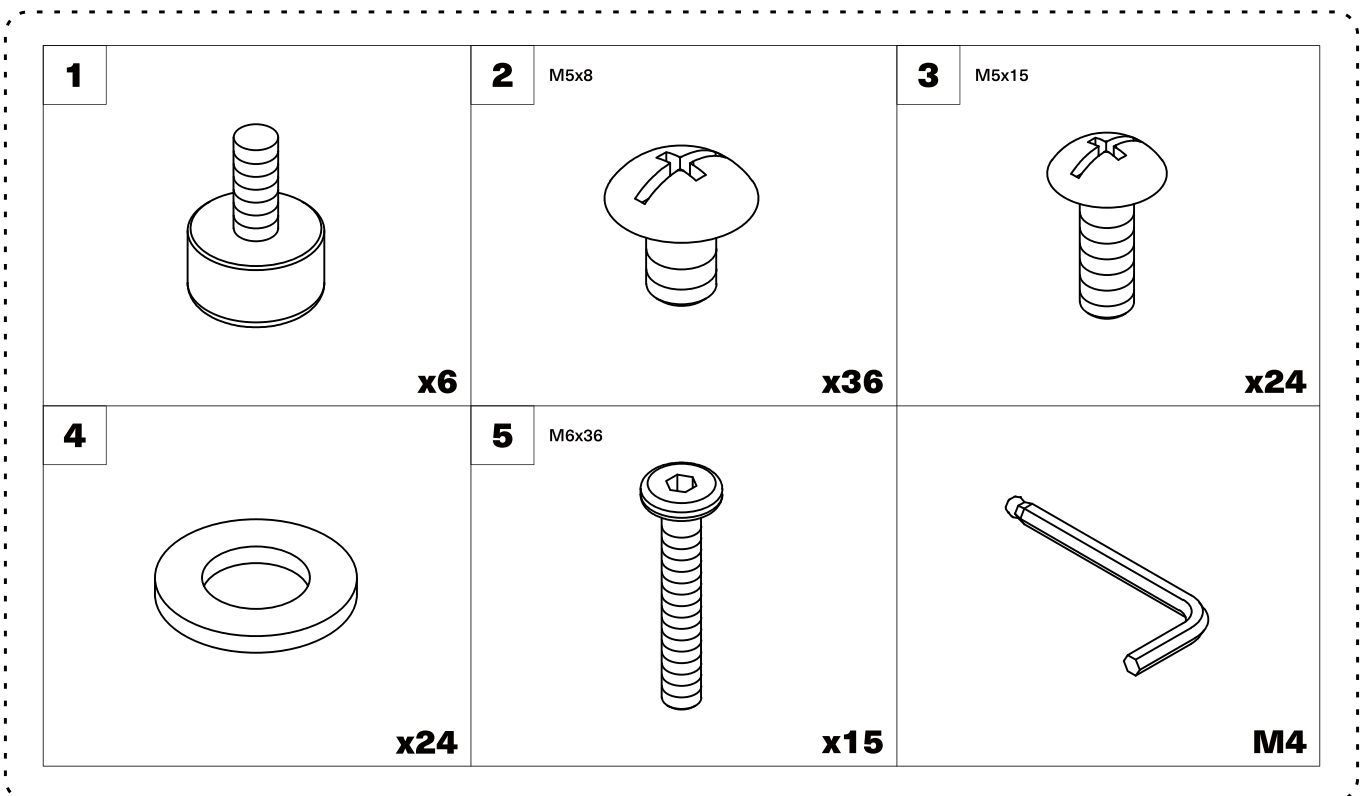
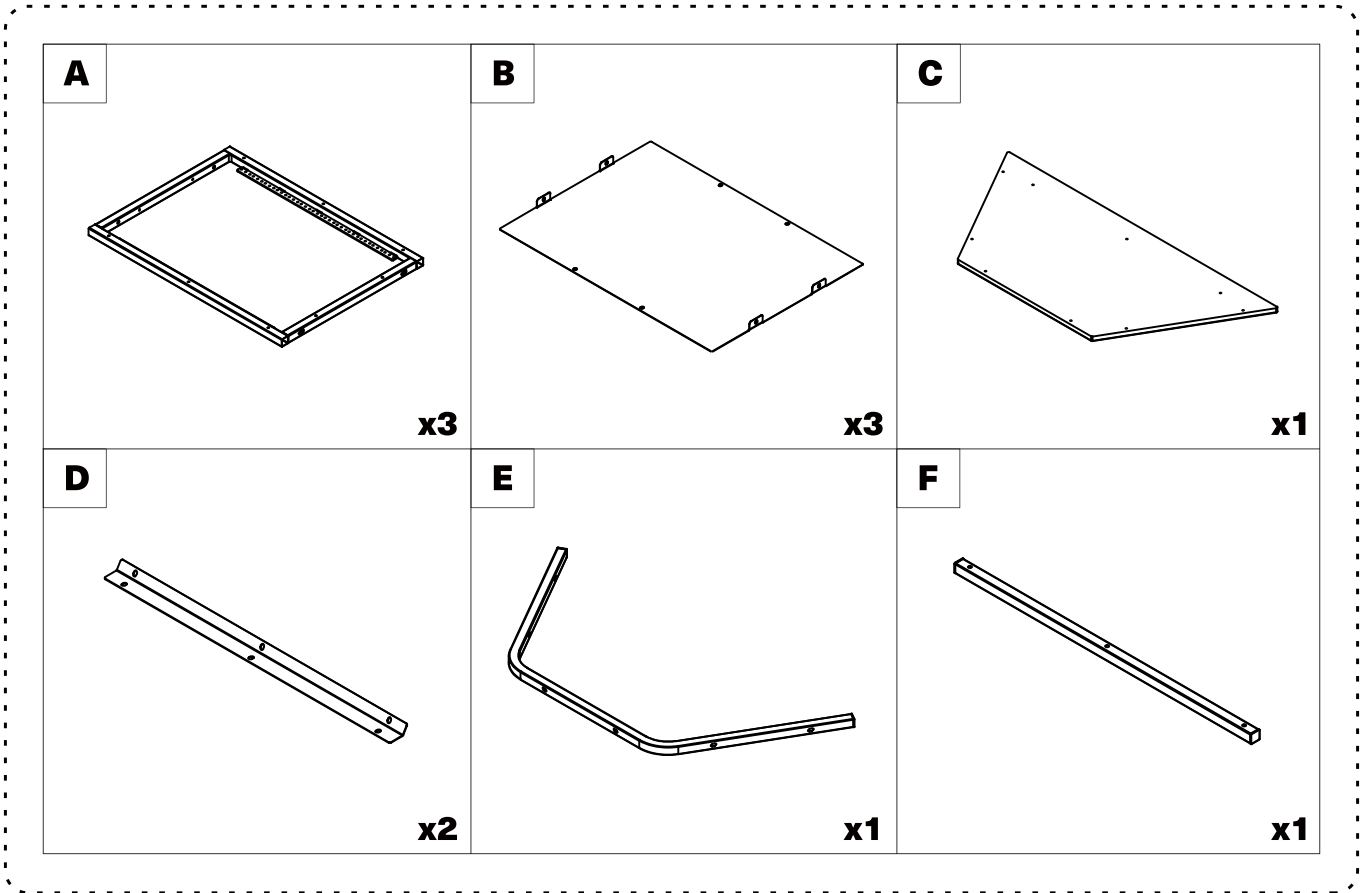




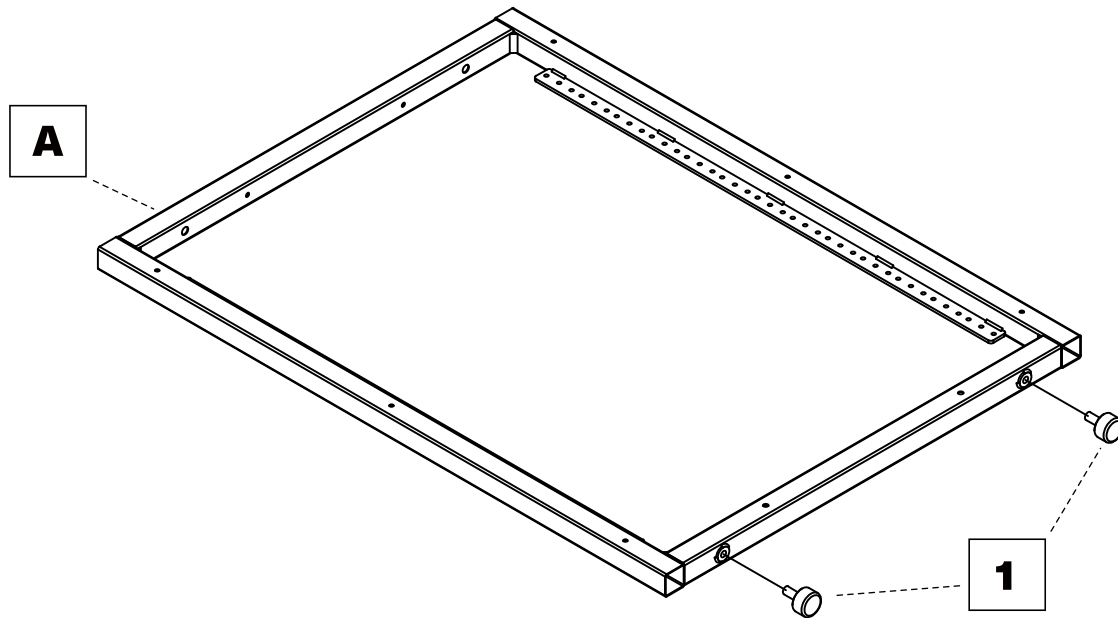
wavebone

For Your Long Way to The Top



STEP 1

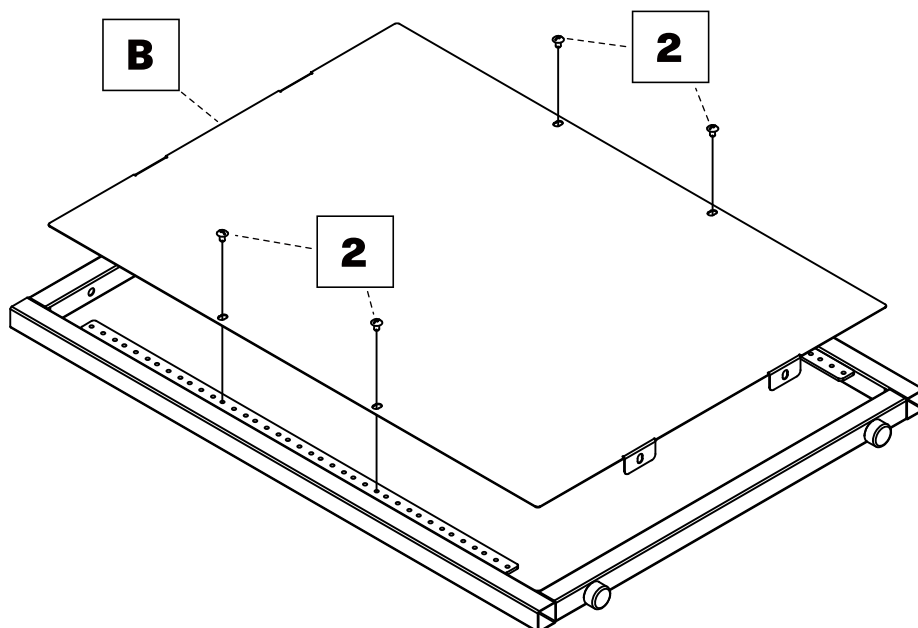
Assemble the feet pads.



STEP 2

Assemble the **B** plate.

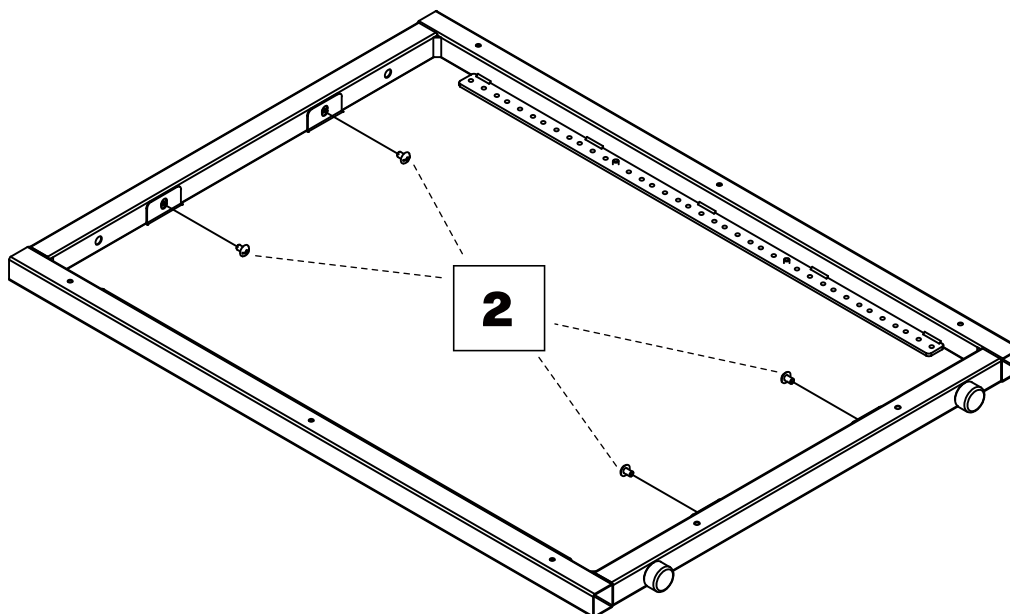
(This step can be skipped to mount gears)



STEP 3

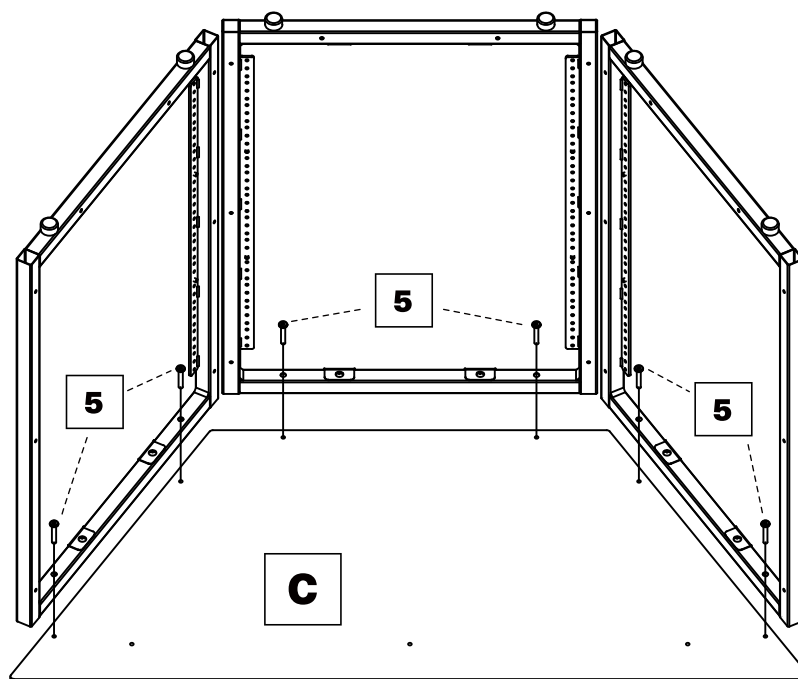
Assemble the **B** plate.

(This step can be skipped to mount gears)



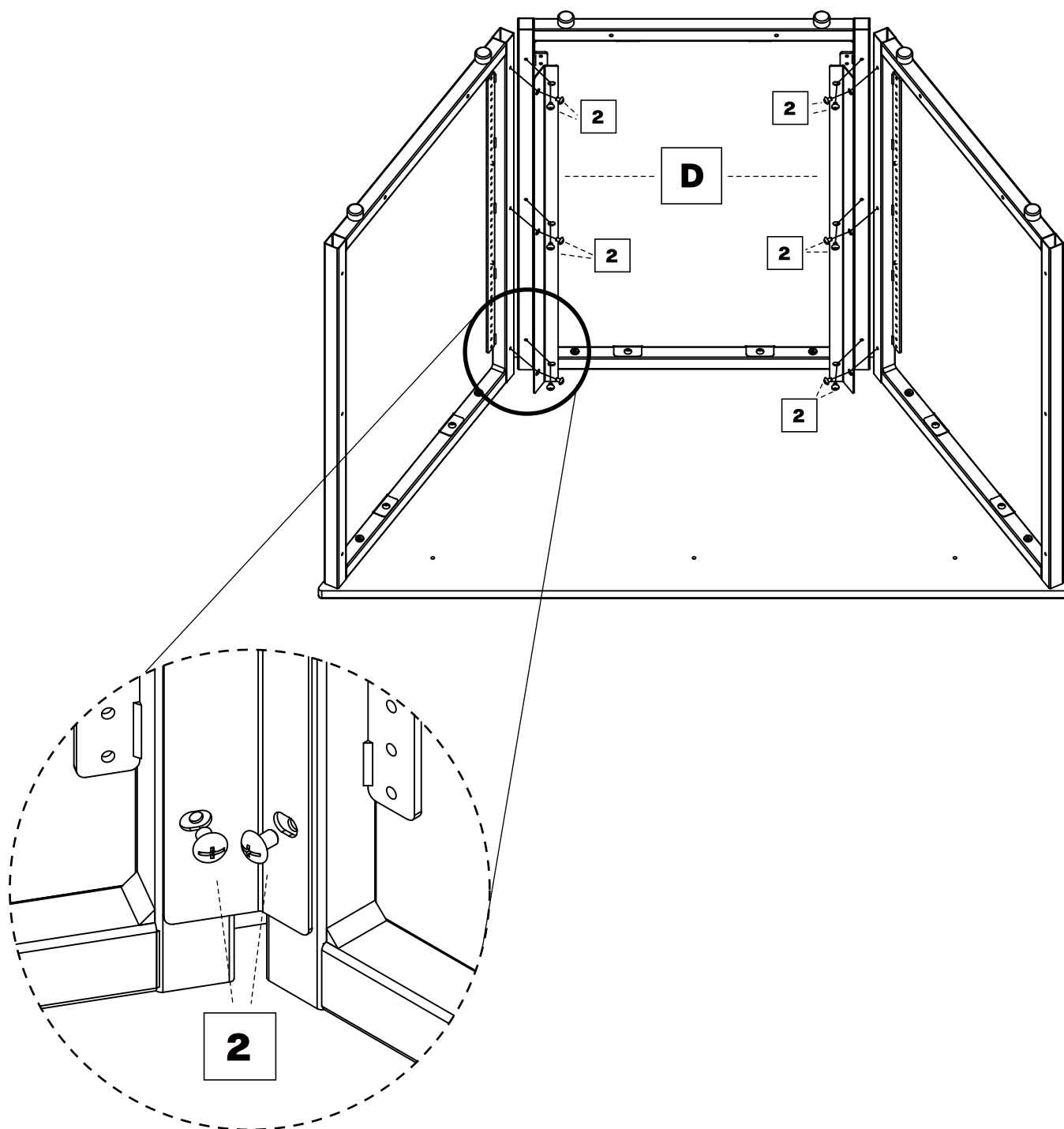
STEP 4

Assemble the three legs to the desk board .



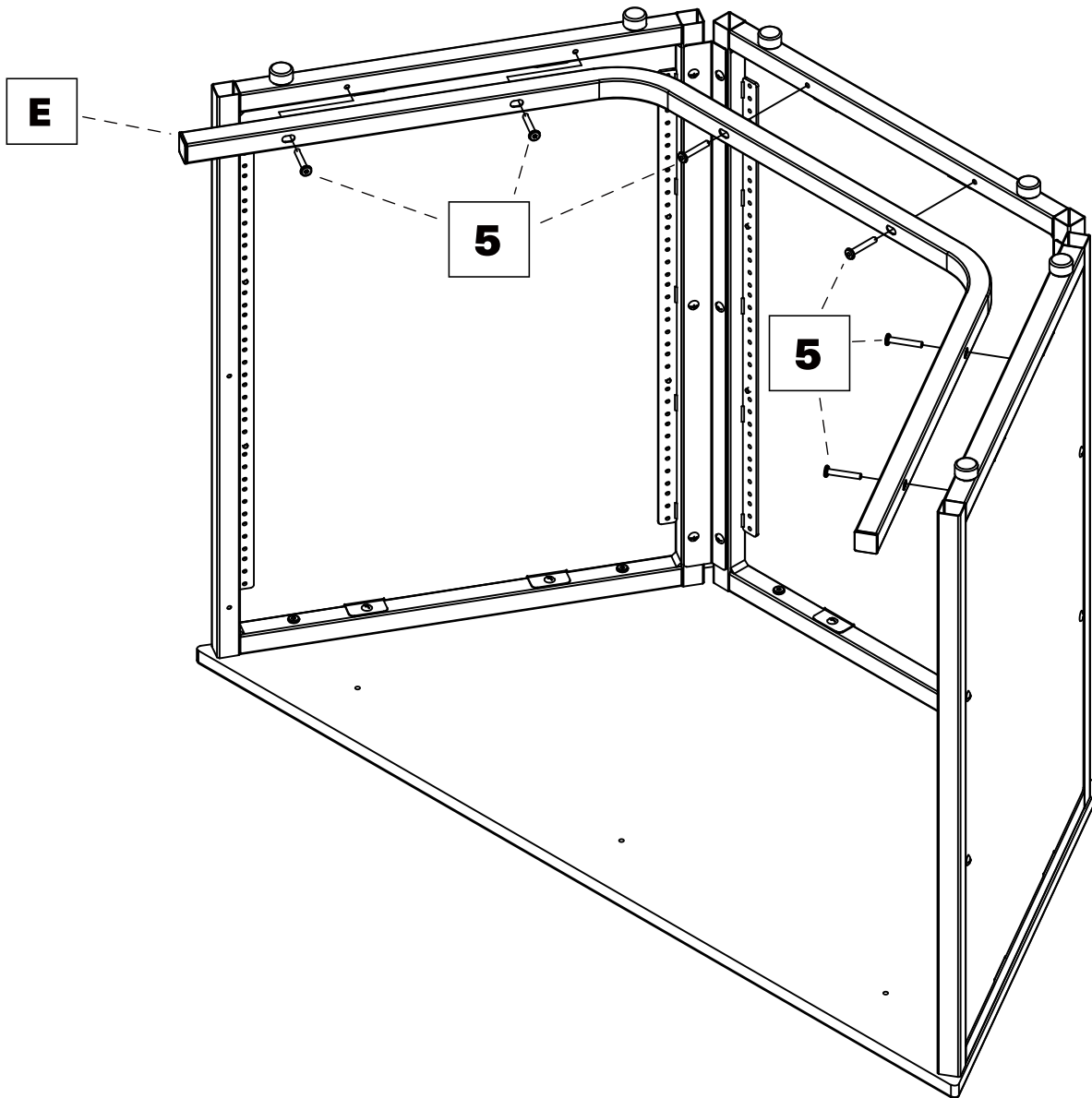
STEP 5

Assemble the **D** plates between 3 legs.



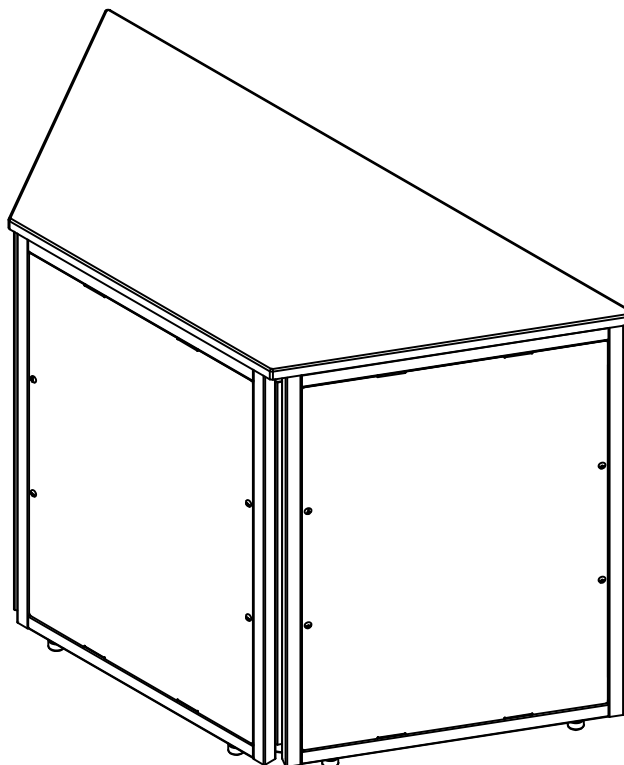
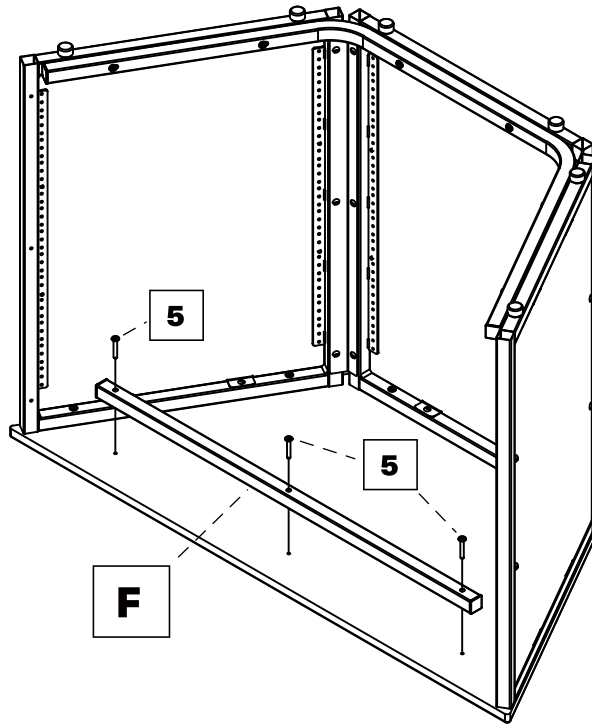
STEP 6

Assemble the **E** enhancement beam.



STEP 7

Assemble the **F** enhancement beam.



**LIFT WITH HELP
RECOMMEND**