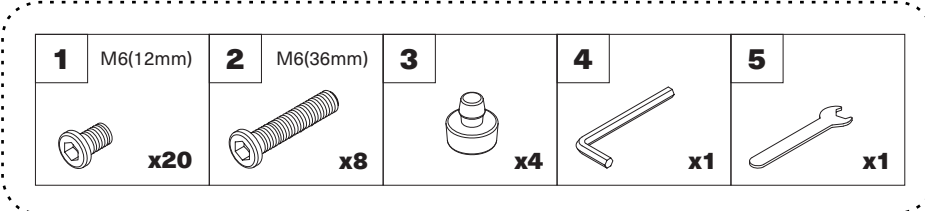
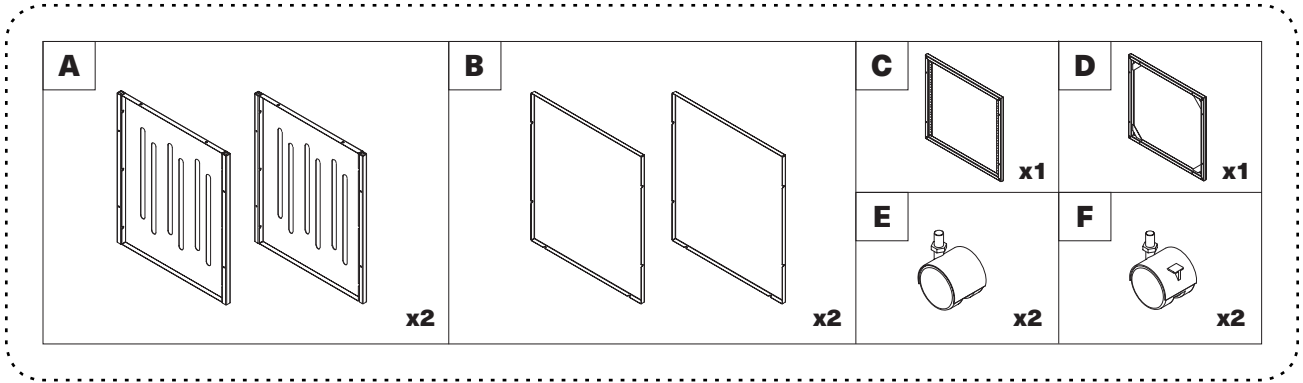
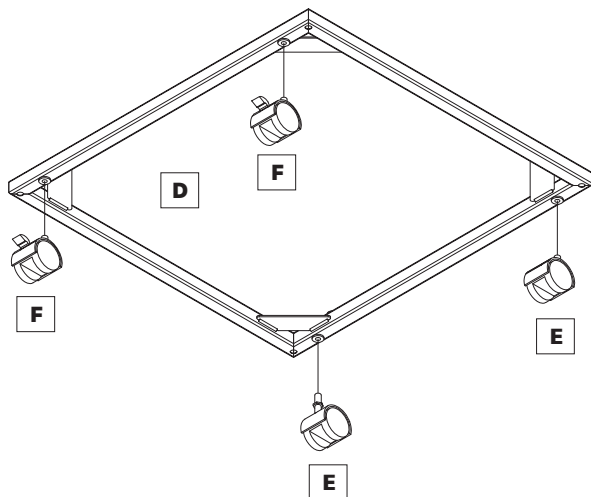


Please follow the instruction below and check if there is any missing parts before you start assembling.



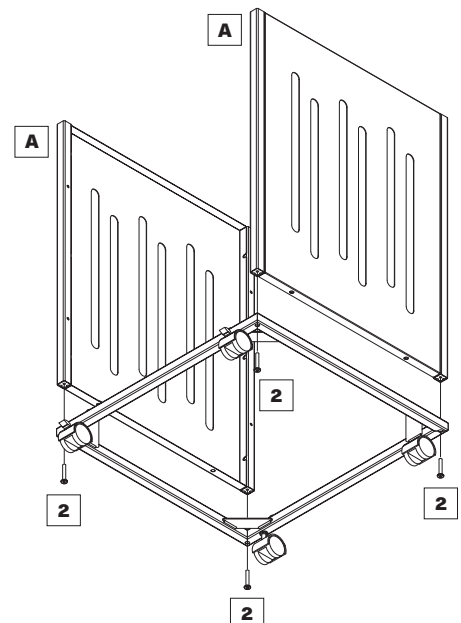
### STEP 1

- D** x1
- E** x2
- F** x2



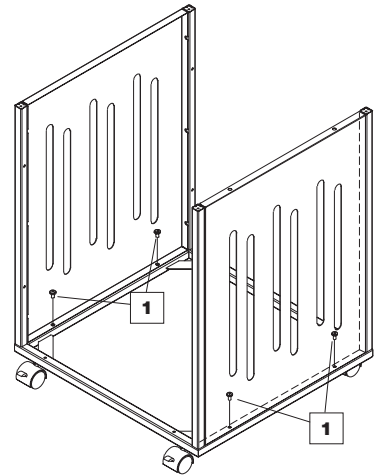
### STEP 2

- A** x2
- 2** x4



## STEP 3

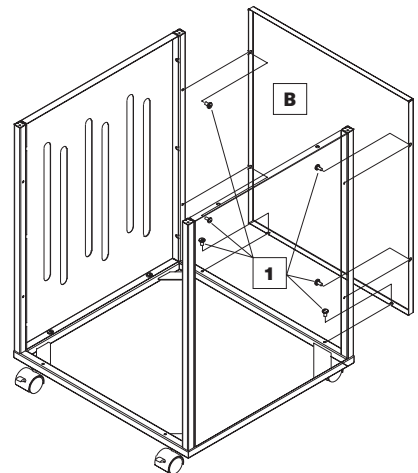
**1** x4



## STEP 4

**B** x1

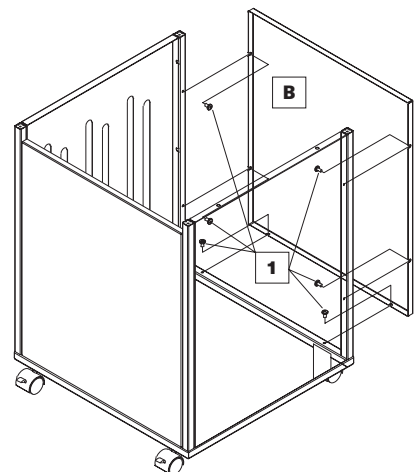
**1** x6



## STEP 5

**B** x1

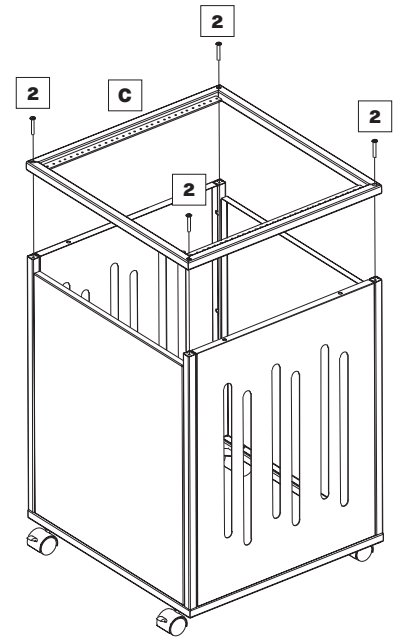
**1** x6



## STEP 6

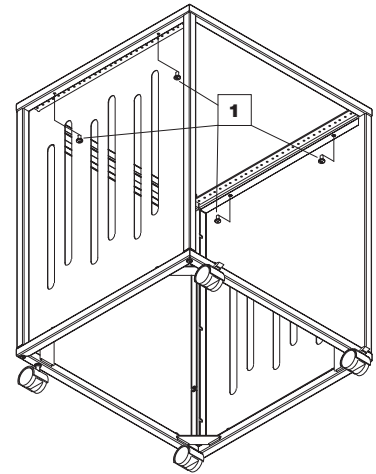
**C** x1

**2** x4



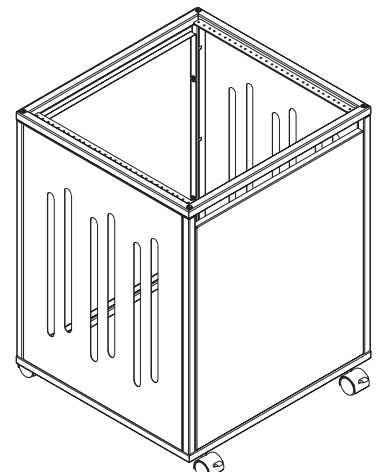
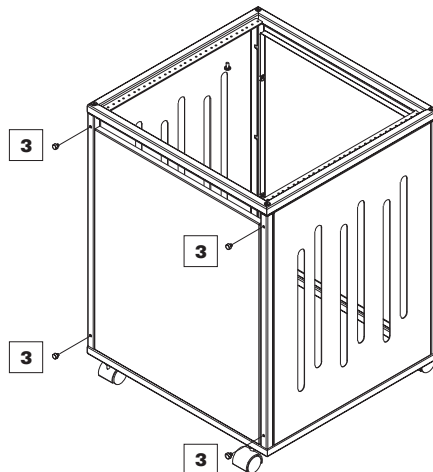
## STEP 7

**1** x4



## STEP 8

**3** x4



LIFT WITH HELP