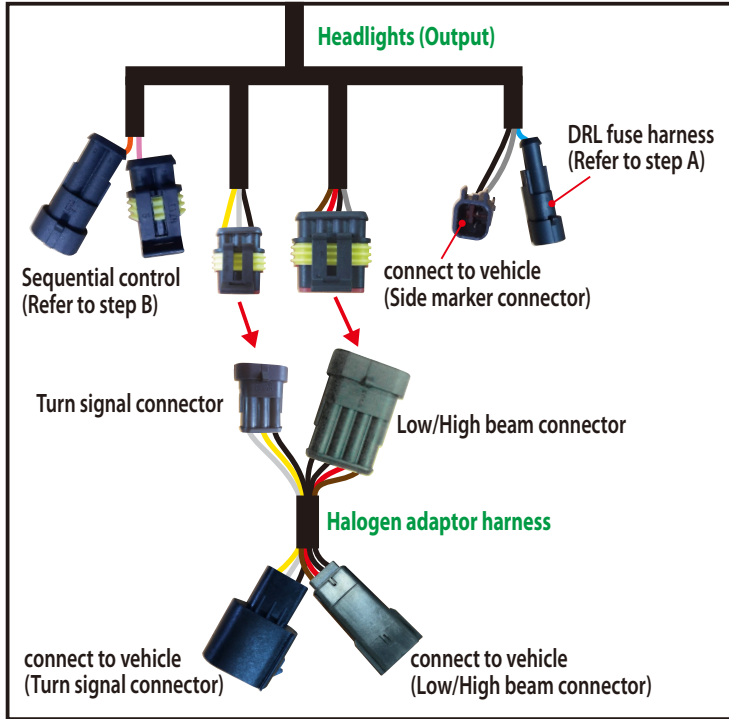
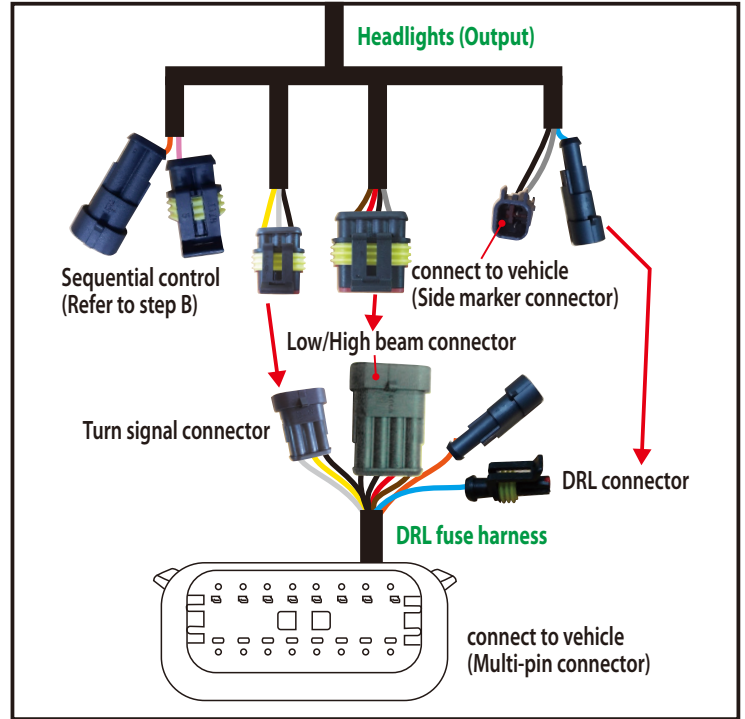


◆ Plug Introduction

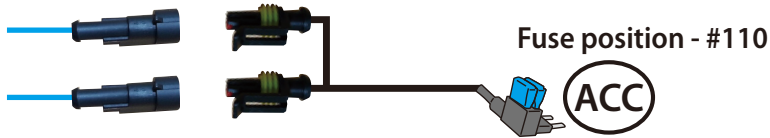
• Halogen type Wiring diagram



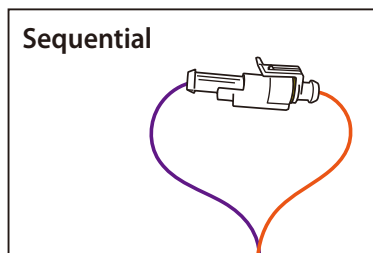
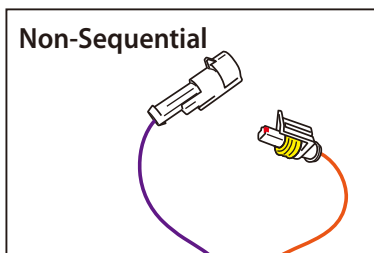
• LED type Wiring diagram



A Connect DRL fuse harness to the lights, then insert the fuse into fuse box.



B Sequential turn signal / Non-Sequential turn signal



- Connect the plugs → Sequential
- Disconnect the plugs → Non-Sequential

◆ Lighting test to check the product function

