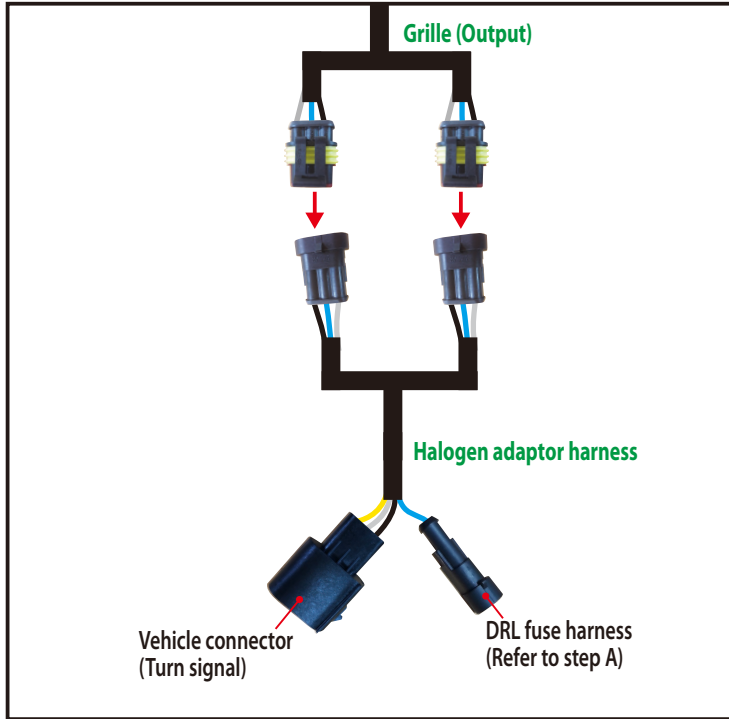
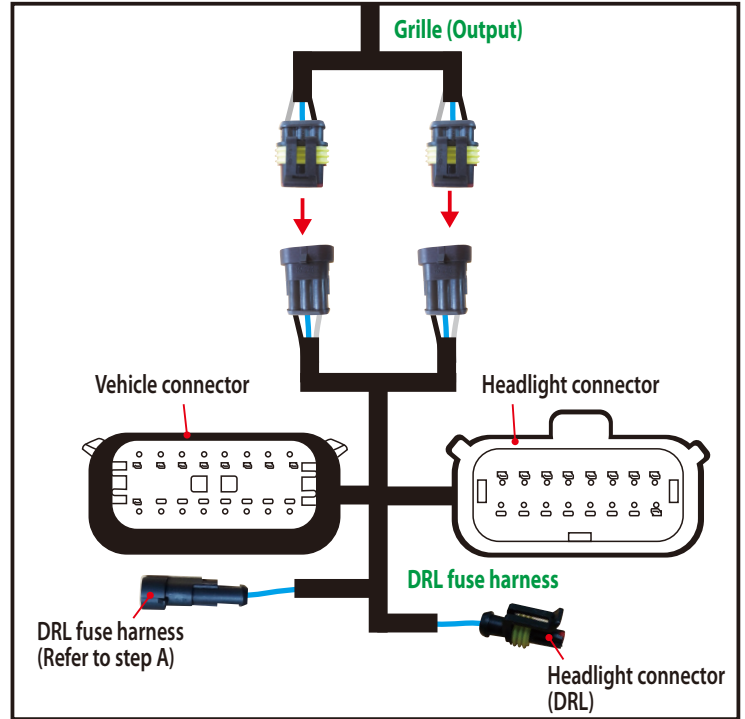


◆ Plug Introduction

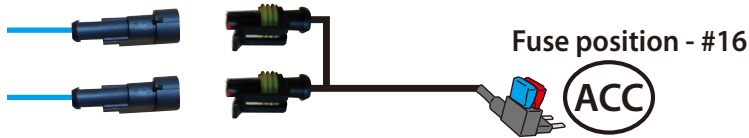
• Halogen type Wiring diagram



• LED type Wiring diagram



A Connect DRL fuse harness to the lights, then insert the fuse into fuse box.



◆ Lighting test to check the product function

